

EC725/H225M, AS332 AND AS532 GUN MOUNT ASSEMBLY



LAND

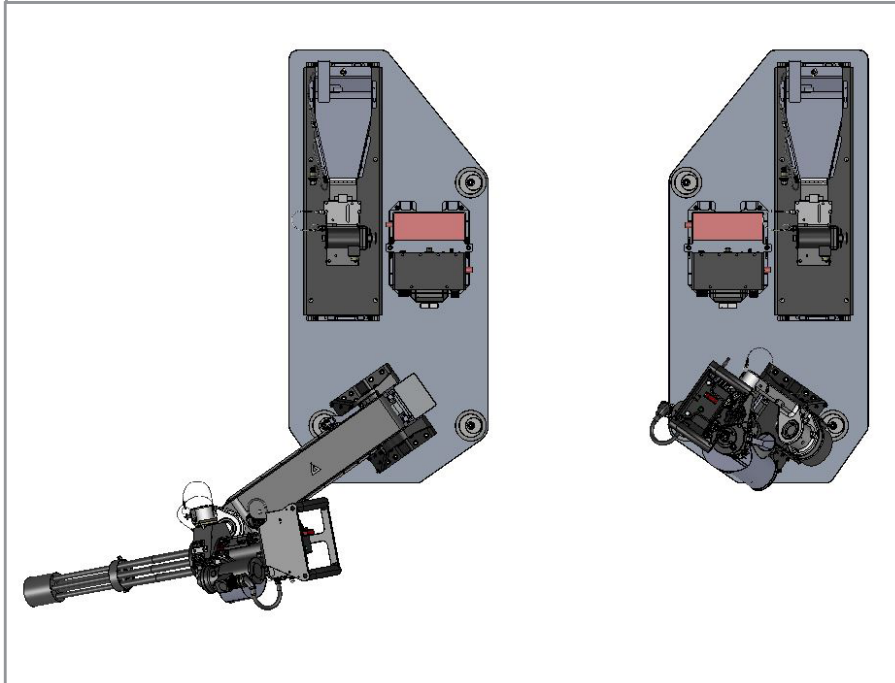
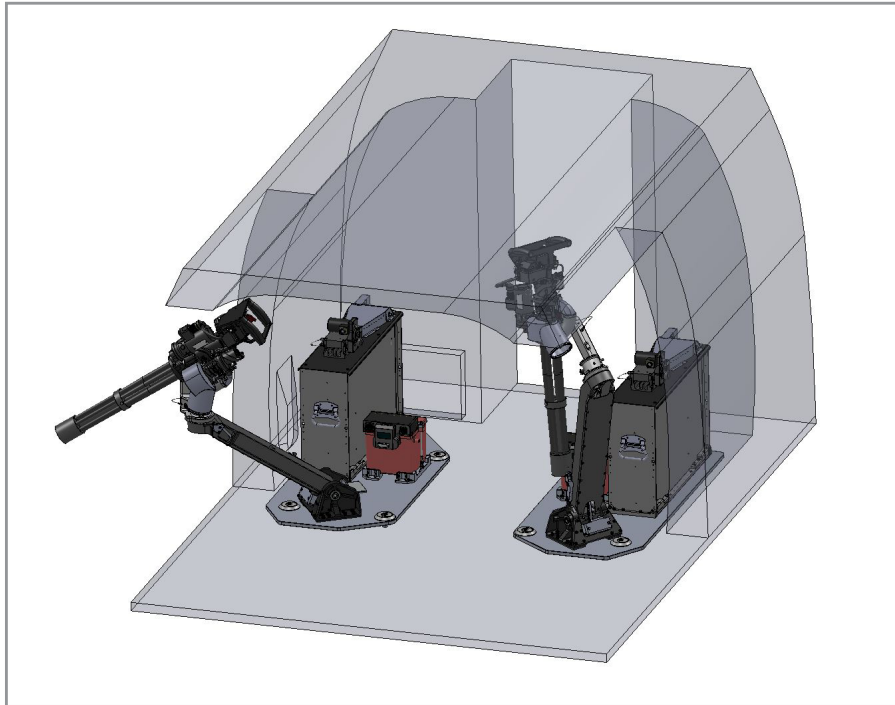


AIR



SEA

**AS332/EC725/H225M
MOUNT ASSEMBLY
PART NUMBER: DGMT8600
NSN: PENDING**



AS332 right side gun deployed and left side stowed

EC725/H225M, AS332 AND AS532 GUN MOUNT ASSEMBLY

The EC725/H225M, AS332, and AS532 Gun Mount Assembly attaches to the standard floor hard points with no structural aircraft modifications required. Installation is designed for left and right door applications while still allowing easy access through the doorway. The system incorporates a kick-out arm assembly to fire, then stows when not in use allowing the doors to close. The ammunition for the M134D is supplied by a 3,000-round ammunition magazine and feed system.

FEATURES

- Total field of fire approximately 110° (Left and right azimuths based on aircraft configuration)
- Elevation 1.5° Depression 55°
- 24 VDC battery
- Integrated battery status indicator
- Integrated stow/lock of the gun in azimuth and elevation
- Gas assist stowage of arm (reduces the amount of weight the operator has to pull into the aircraft)

WEIGHT:

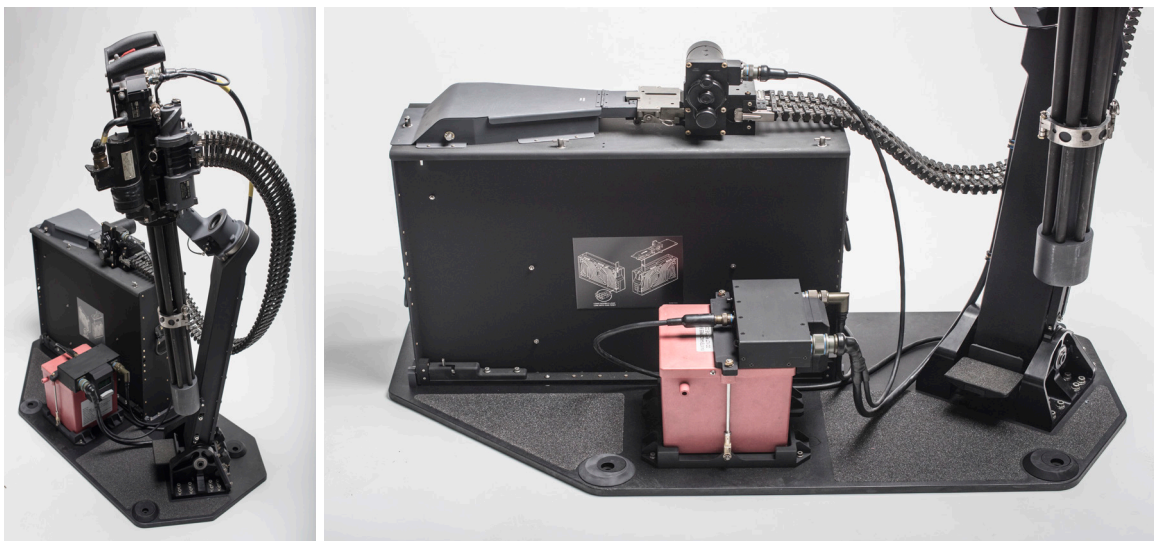
- Total system weight loaded with 3,000 rounds approximately 430 lb (195 kg)

DIMENSIONS:

- Base plate 22.56" (57.3 cm) X 48.97" (124.4 cm)

AIRCRAFT INTERFACE:

- Pilot control box
- 24 VDC trickle charge



EC725 Gun Mount Assembly (different views)



AS532 with M134D



AS332 with M134D



Dillon Aero, Inc.

TOLL FREE +1 800.881.4231 • TEL +1 480.333.5450 • FAX +1 480.948.6616
www.dillonaero.com