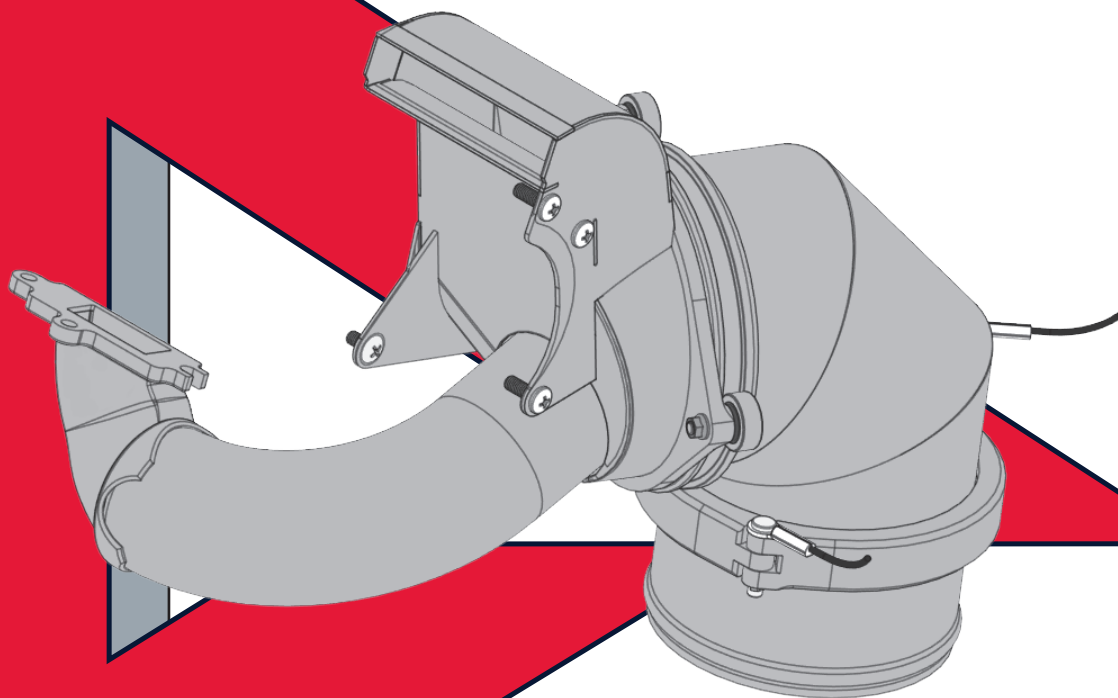


DMG0645-BRASS/LINK EXHAUST- DUAL SWIVEL



DILLON AERO

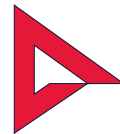
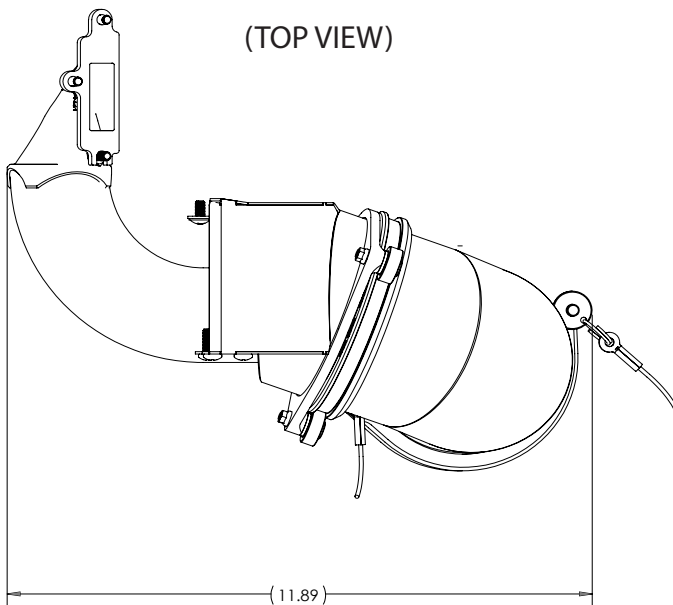
www.dillonaero.com

DMG0645-BRASS/LINK EXHAUST-DUAL SWIVEL

The Dillon Aero Brass/Link Exhaust-Dual Swivel, brings greater flexibility and a more controlled expulsion of Brass and Link waste. This design also delivers reliability, ease of maintenance, and a more versatile range of motion to the M134D System.

The Swiveling Exhaust Assembly attaches to the M134D Minigun's Feeder/Delinker and allows spent Brass and Links to be routed away from the weapon, and may be used in place of Fixed Angle Brass/Link Exhausts. This alleviates any kinking or binding of the DA0100 - Dump Tube, that tends to result from gun movement. The DMG0645 Swiveling Exhaust Assembly is NOT intended for use in applications where the upward elevation limit of the M134D Minigun is greater than 5 degrees.

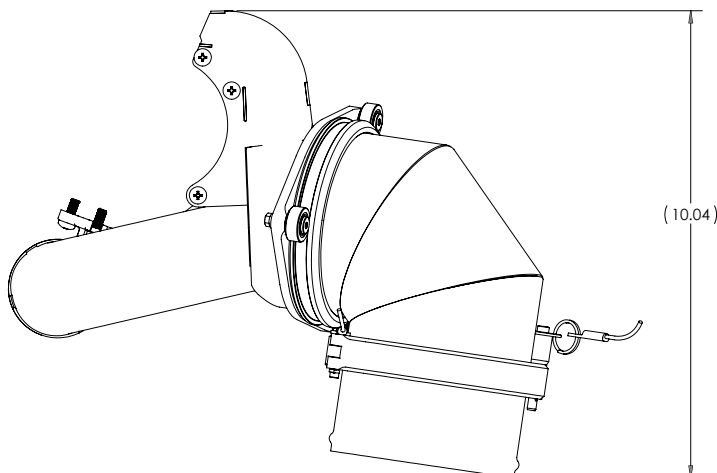
(TOP VIEW)



FEATURES:

- Permanently lubricated Stainless Steel Bearings
- Angled, pivoting exhaust
- Weight: 3.19 lbs

(FRONT VIEW)



(SIDE VIEW)

